



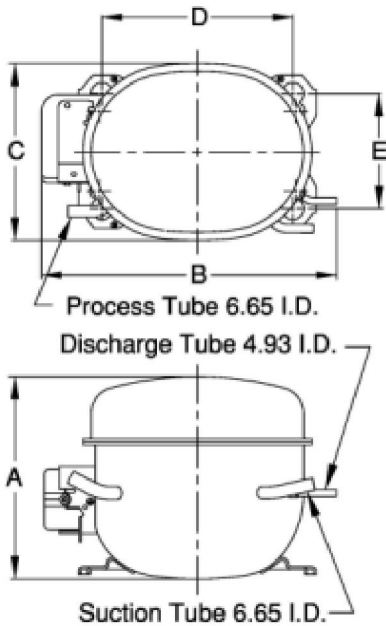
KULTHORN KIRBY PUBLIC CO.,LTD.

TECHNICAL SPECIFICATION

UNCONTROLLED COPY

HERMETIC COMPRESSOR
AE 2428ZK-SR
BOM ID 14Z-A3
High Torque Start

PRINCIPAL DIMENSIONS - mm



A	212
B	265
C	155
D	165
E	102

ELECTRICAL : 220-240 Volt. 50 Hz. 1 Phase

Nominal Performance

Cooling Capacity :	700 / 720	Watts (2,388 / 2,457)	BTU/Hr
	602 / 619	Kcal/Hr	
Power Input :	560 / 586	Watts	
Locked Rotor Amps :	15.7 / 15.7	Amps	
Rated Load Amps :	2.88 / 2.9	Amps	
COP (EER) :	1.25 / 1.23	Watts/ Watts(4.27 / 4.19)	BTU/W-Hr

Testing Conditions

Condensing Temperature :	54.4	° C
Evaporating Temperature :	-23.3	° C
Liquid Temperature :	32.2	° C
Return Gas Temperature :	32.2	° C
Ambient Temperature :	32.2	° C

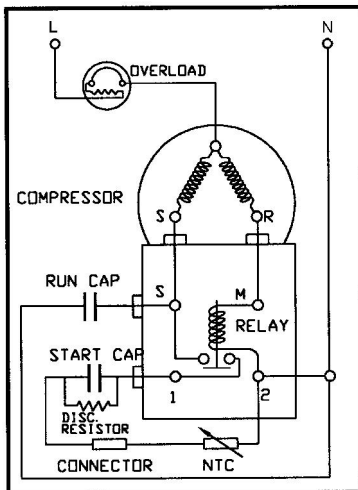
Application

Evaporating Range :	LBP	@ -40 ° C to -12.2 ° C
Refrigerant :	R404A/R507	
Expansion :	Capillary Tube	
Compressor Cooling :	Fan	

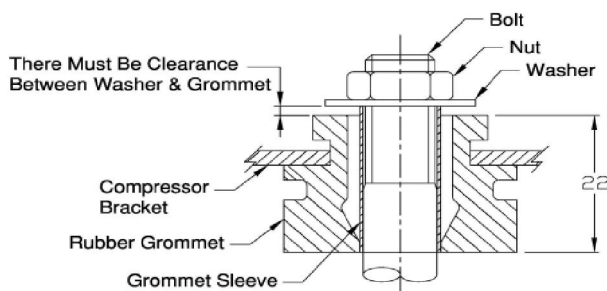
Compressor and Motor data

Compressor Type :	Reciprocating
Displacement :	16.08 cc.
Oil Type :	Polyolester Oil
Oil Charge :	437 cc.
Motor Type :	C.S.R. ; 2 Pole 2880 / 2880 rpm
Voltage Range :	187-264 Volts 50 Hz.
Winding Resistance at 25 ° C	
Start :	12.77 Ohms
Run :	4.30 Ohms
Weight with Oil :	11.98 Kg.
Weight with Oil and Accessories :	12.38 Kg.

SCHEMATIC WIRING DIAGRAM C.S.R.



MOUNTING KIT



Electrical Components

Motor Protector :

Type :	External 3/4"
Model Number :	KME 664-10/C
Open / Close :	115-125 / 78-60 ° C
1st Cycle trip at 25 ° C:	17.0 Amps

Motor Starter :

Type :	Current Relay
Model Number :	KME 682-8NT
Pick Up (max.) :	8
Drop Out(min.) :	7 Amps
Terminal Cover :	KMD 901-12

Start Capacitor :

Disch. Resistor for Start Cap :	15000 Ohms 2 W
---------------------------------	----------------

Run Capacitor :

	8 μ F 440 VAC.
--	----------------

Mounting Kit

Rubber Grommet :	KMD 905-3	Earth Plug :
Sleeve Grommet :	KMD 903-2	Earth Screw :
Washer :	KEB 387	Washer Lock :

Since we are constantly improving our product ,
the specification are subject to change without notice.

REV. DATE

05-10-12

C / N No.

0462/12