



UNCONTROLLED COPY

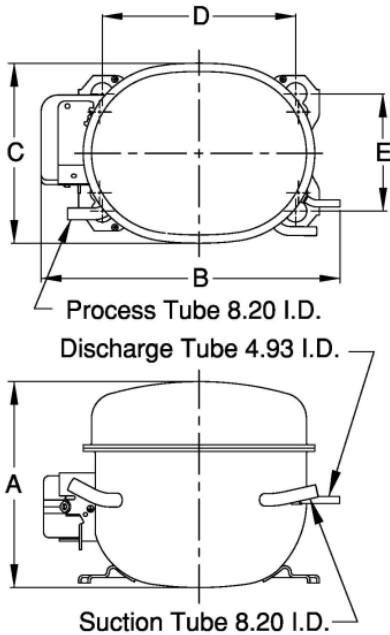
**KULTHORN KIRBY PUBLIC CO.,LTD.**

**HERMETIC COMPRESSOR**

**TECHNICAL SPECIFICATION**

**AE 2413ZK  
BOM ID 21K-A0  
High Torque Start**

**PRINCIPAL DIMENSIONS - mm**



A	183
B	265
C	155
D	165
E	102

**ELECTRICAL : 220-240 Volt. 50 Hz. 1 Phase**

**Nominal Performance**

Cooling Capacity :	325 / 348	Watts ( 1,109 / 1,187 )	BTU/Hr
	279 / 299	Kcal/Hr	
Power Input :	284 / 302	Watts	
Locked Rotor Amps :	11.1 / 11.1	Amps	
Rated Load Amps :	2 / 2.06	Amps	
COP (EER) :	1.14 / 1.15	Watts/ Watts ( 3.90/ 3.93 )	BTU/W-Hr

**Testing Conditions**

Condensing Temperature :	54.4	°C
Evaporating Temperature :	-23.3	°C
Liquid Temperature :	32.2	°C
Return Gas Temperature :	32.2	°C
Ambient Temperature :	32.2	°C

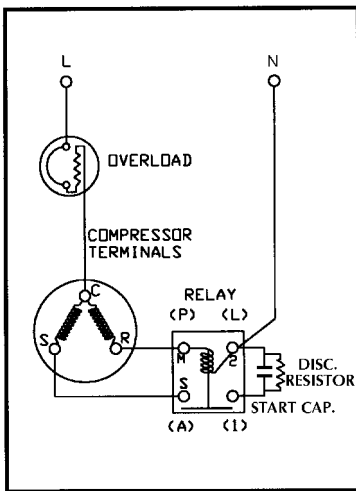
**Application**

Evaporating Range :	<b>LBP</b>	@ -40 °C to -12.2 °C
Refrigerant :	R404A/R507	
Expansion :	Capillary Tube	
Compressor Cooling :	Fan	

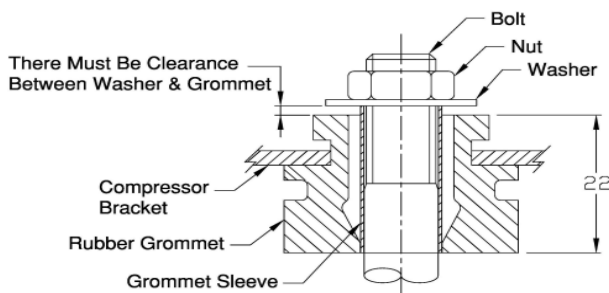
**Compressor and Motor data**

Compressor Type :	Reciprocating
Displacement :	6.91 cc.
Oil Type :	Polyolester Oil
Oil Charge :	307 cc.
Motor Type :	<b>C.S.I.R.</b> ; 2 Pole 2880 / 2880 rpm
Voltage Range :	187-264 Volts 50 Hz.
Winding Resistance at 25 °C	
Start :	26.40 Ohms
Run :	7.24 Ohms
Weight with Oil :	9.84 Kg.
Weight with Oil and Accessories :	10.10 Kg.

**SCHEMATIC WIRING DIAGRAM C.S.I.R.**



**MOUNTING KIT**



**Electrical Components**

**Motor Protector :**

Type :	External 3/4"
Model Number :	KME 660-7/C
Open / Close :	90-100 / 70-52 °C
1st Cycle trip at 25 °C:	10.2 Amps

**Motor Starter :**

Type :	Current Relay
Model Number :	KME 684-11
Pick Up (max.) :	7.3 Amps
Drop Out(min.) :	6.4 Amps
Terminal Cover :	KMD 901-12

**Start Capacitor :**

36-43 μF 330 VAC.

Disch. Resistor for Start Cap : 15000 Ohms 2 W

**Run Capacitor :**

No μF No VAC.

**Mounting Kit**

Rubber Grommet :	KMD 905-3	Earth Plug :
Sleeve Grommet :	KMD 903-2	Earth Screw :
Washer :	KEB 387	Washer Lock :

Since we are constantly improving our product , the specification are subject to change without notice.

REV. DATE

20-07-10

C / N No.

0345/10