



# KULTHORN KIRBY PUBLIC CO., LTD.

## TECHNICAL SPECIFICATION

UNCONTROLLED COPY

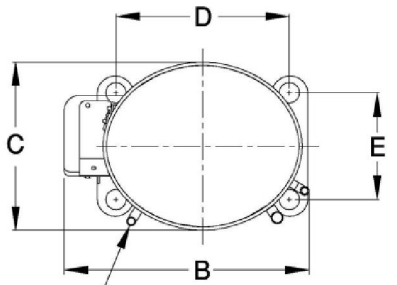
HERMETIC  
COMPRESSOR

CA 2428E

BOM ID 26F-A0

High Torque Start

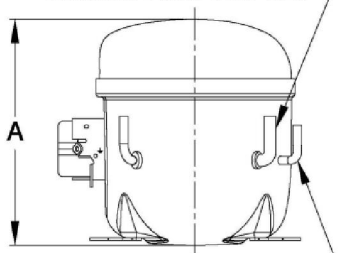
### PRINCIPAL DIMENSIONS - mm



A	215
B	233
C	160
D	165
E	102

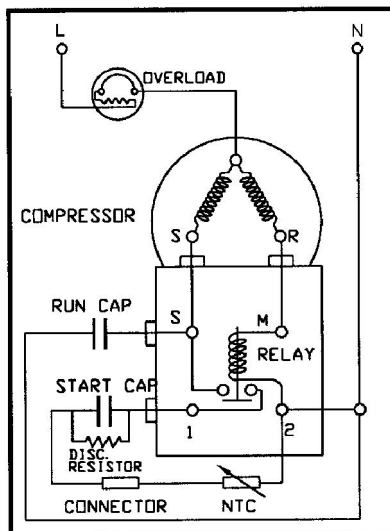
Process Tube 6.65 I.D.

Suction Tube 10.7 I.D.



Discharge Tube 6.65 I.D.

### SCHEMATIC WIRING DIAGRAM C.S.R.



**ELECTRICAL : 220-240 Volt. 50 Hz. 1 Phase**

### Nominal Performance

Cooling Capacity :	730	Watts ( 2,490 )	BTU/Hr
	628	Kcal/Hr	
Power Input :	690	Watts	
Lock Rotor Amps :	21	Amps	
Rated Load Amps :	3.9	Amps	
COP (EER) :	1.06	Watts/Watts ( 3.61 )	BTU/ W-Hr

### Testing Conditions

Condensing Temperature :	54.4	° C
Evaporating Temperature :	-23.3	° C
Liquid Temperature :	32.2	° C
Return Gas Temperature :	32.2	° C
Ambient Temperature :	32.2	° C

### Application

Evaporating Range :	<b>LBP</b> @ -30 ° C to -12.2 ° C
Refrigerant :	R22
Expansion :	Capillary Tube
Compressor Cooling :	Fan

### Compressor and Motor data

Compressor Type :	Reciprocating
Displacement :	20.00 cc.
Oil Type :	Polyolester Oil
Oil Charge :	457 cc.
Motor Type :	<b>C.S.R.</b> ; 2 Pole 2880 rpm
Voltage Range :	198-253 Volts 50 Hz.
Winding Resistance at 25 ° C	
Start :	7.30 Ohms
Run :	2.80 Ohms
Weight with Oil :	13.00 Kg.
Weight with Oil and Accessories :	13.40 Kg.

### Electrical Components

#### Motor Protector :

Type :	External 3/4"
Model Number :	KME 660-39/C
Open / Close :	115-125 / 78-60 ° C
1st Cycle trip at 25 ° C :	20 Amps

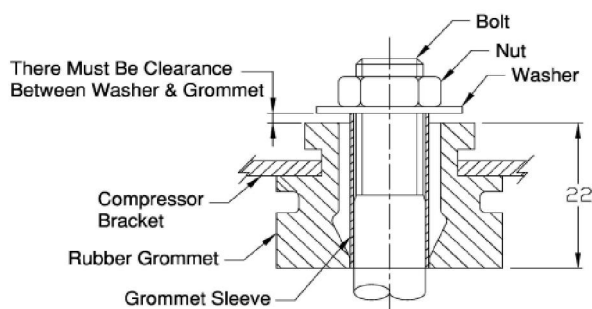
#### Motor Starter :

Type :	Current Relay
Model Number :	KME 682-23NT
Pick Up (max.) :	10.3 Amps
Drop Out(min.) :	9.6 Amps
Terminal Cover :	KMD 901-12
<b>Start Capacitor :</b>	43-52 μ F 330 VAC.
Disch. Resistor for Start Cap :	15000 Ohms 2 W
<b>Run Capacitor :</b>	15 μ F 440 VAC.

### Mounting Kit

Rubber Grommet :	KMD 905-3	Earth Plug :
Sleeve Grommet :	KMD 903-2	Earth Screw :
Washer :	KEB 387	Washer Lock:

### MOUNTING KIT



Since we are constantly improving our product ,  
the specification are subject to change without notice.

REV. DATE

18-02-13

C / N No.

0104/13