



KULTHORN KIRBY PUBLIC CO.,LTD.

TECHNICAL SPECIFICATION

UNCONTROLLED COPY

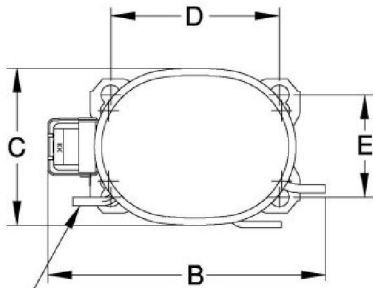
HERMETIC COMPRESSOR

AE 1370Y

BOM ID Z04-A0

Low Torque Start

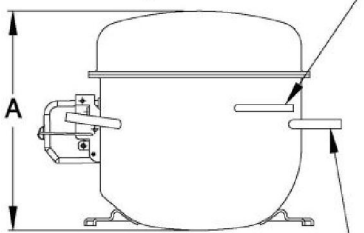
PRINCIPAL DIMENSIONS - mm



A	176
B	272
C	155
D	165
E	102

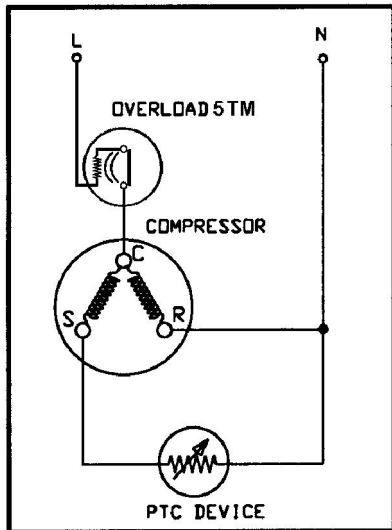
Process Tube 6.65 I.D.

Discharge Tube 4.93 I.D.

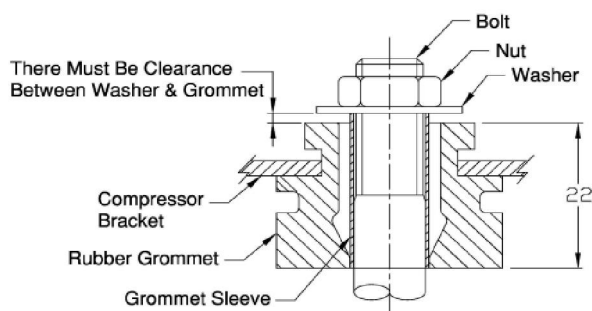


Suction Tube 6.65 I.D.

SCHEMATIC WIRING DIAGRAM R.S.I.R.



MOUNTING KIT



Since we are constantly improving our product , the specification are subject to change without notice.

ELECTRICAL : 220-240 Volt. 50 Hz. 1 Phase

Nominal Performance

Cooling Capacity :	180	Watts (614)	BTU/Hr
	155	Kcal/Hr	
Power Input :	163	Watts	
Lock Rotor Amps :	9	Amps	
Rated Load Amps :	1.1	Amps	
COP (EER) :	1.10	Watts/Watts (3.77)	BTU/ W-Hr

Testing Conditions

Condensing Temperature :	54.4	° C
Evaporating Temperature :	-23.3	° C
Liquid Temperature :	32.2	° C
Return Gas Temperature :	32.2	° C
Ambient Temperature :	32.2	° C

Application

Evaporating Range :	LBP @ -34.4 ° C to -12.2 ° C
Refrigerant :	R134a
Expansion :	Capillary Tube
Compressor Cooling :	Natural Convection

Compressor and Motor data

Compressor Type :	Reciprocating
Displacement :	6.74 cc.
Oil Type :	Polyolester Oil
Oil Charge :	300 cc.
Motor Type :	R.S.I.R. ; 2 Pole 2880 rpm
Voltage Range :	198-253 Volts 50 Hz.
Winding Resistance at 25 ° C	
Start :	27.00 Ohms
Run :	17.00 Ohms
Weight with Oil :	9.25 Kg.
Weight with Oil and Accessories :	9.43 Kg.

Electrical Components

Motor Protector :

Type :	External 5TM
Model Number :	KME 670-26
Open / Close :	105-115 / 70-52 ° C
1st Cycle trip at 25 ° C :	6.6 Amps

Motor Starter :

Type :	PTC Relay
Model Number :	KME 693-4
Pick Up (max.) :	- Amps.
Drop Out(min.) :	- Amps.
Terminal Cover :	KMD 902-2
Start Capacitor :	No μ F No VAC.
Disch. Resistor for Start Cap :	No
Run Capacitor :	No μ F No VAC.

Mounting Kit

Rubber Grommet :	KMD 905-3	Earth Plug :
Sleeve Grommet :	KMD 903-2	Earth Screw :
Washer :	KEB 387	Washer Lock:

REV. DATE

18-01-13

C / N No.

0016/13