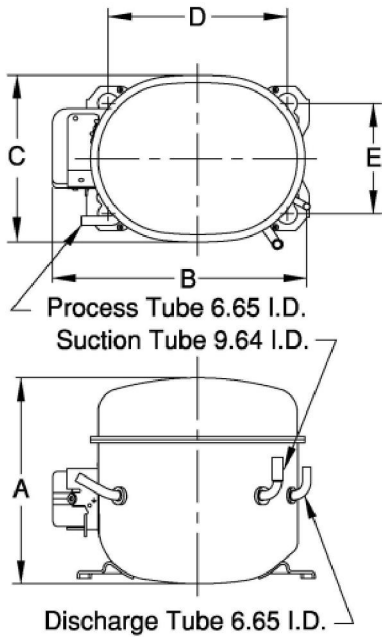




### PRINCIPAL DIMENSIONS - mm



<b>A</b>	<b>216</b>
<b>B</b>	<b>242</b>
<b>C</b>	<b>155</b>
<b>D</b>	<b>165</b>
<b>E</b>	<b>102</b>

**ELECTRICAL : 220-240 Volt. 50 Hz. 1 Phase**

### Nominal Performance

Cooling Capacity :	774	Watts ( 2,640 )	BTU/Hr
	665	Kcal/Hr	
Power Input :	660	Watts	
Lock Rotor Amps :	21	Amps	
Rated Load Amps :	3.3	Amps	
COP (EER) :	1.17	Watts/Watts ( 4.00 )	BTU/ W-Hr

### Testing Conditions

Condensing Temperature :	54.4	°C
Evaporating Temperature :	-23.3	°C
Liquid Temperature :	32.2	°C
Return Gas Temperature :	32.2	°C
Ambient Temperature :	32.2	°C

### Application

Evaporating Range :	<b>LBP</b>	@ -40 °C to -12.2 °C
Refrigerant :	R404A	
Expansion :	Capillary Tube	
Compressor Cooling :	Fan	

### Compressor and Motor data

Compressor Type :	Reciprocating
Displacement :	18.00 cc.
Oil Type :	Polyolester Oil
Oil Charge :	437 cc.
Motor Type :	<b>C.S.R.</b> ; 2 Pole 2880 rpm
Voltage Range :	198-253 Volts 50 Hz.
Winding Resistance at 25 °C	
Start :	8.56 Ohms
Run :	3.26 Ohms
Weight with Oil :	12.62 Kg.
Weight with Oil and Accessories :	13.00 Kg.

### Electrical Components

#### Motor Protector :

Type :	External 3/4"
Model Number :	KME 664-2/C
Open / Close :	115-125 / 78-60 °C
1st Cycle trip at 25 °C :	18.6 Amps

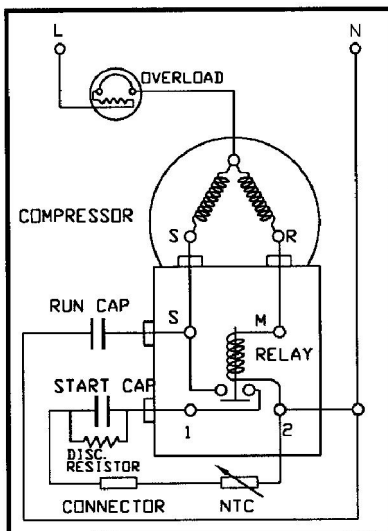
#### Motor Starter :

Type :	Current Relay
Model Number :	KME 682-21NT
Pick Up (max.) :	11.8
Drop Out(min.) :	10.5 Amps
Terminal Cover :	KMD 901-12
<b>Start Capacitor :</b>	36-43 μF 330 VAC.
Disch. Resistor for Start Cap :	15000 Ohms 2 W
<b>Run Capacitor :</b>	15 μF 440 VAC.

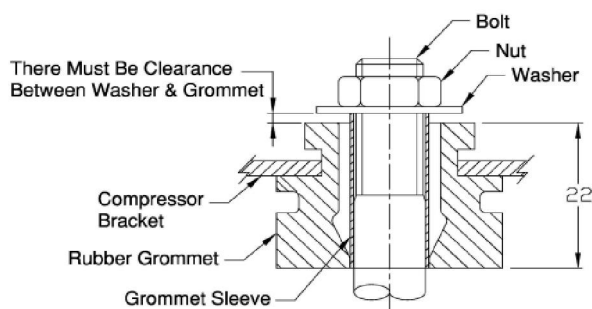
### Mounting Kit

Rubber Grommet :	KMD 905-3	Earth Plug :
Sleeve Grommet :	KMD 903-2	Earth Screw :
Washer :	KEB 387	Washer Lock:

### SCHEMATIC WIRING DIAGRAM C.S.R.



### MOUNTING KIT



Since we are constantly improving our product ,  
the specification are subject to change without notice.

REV. DATE

05-10-12

C / N No.

0462/12